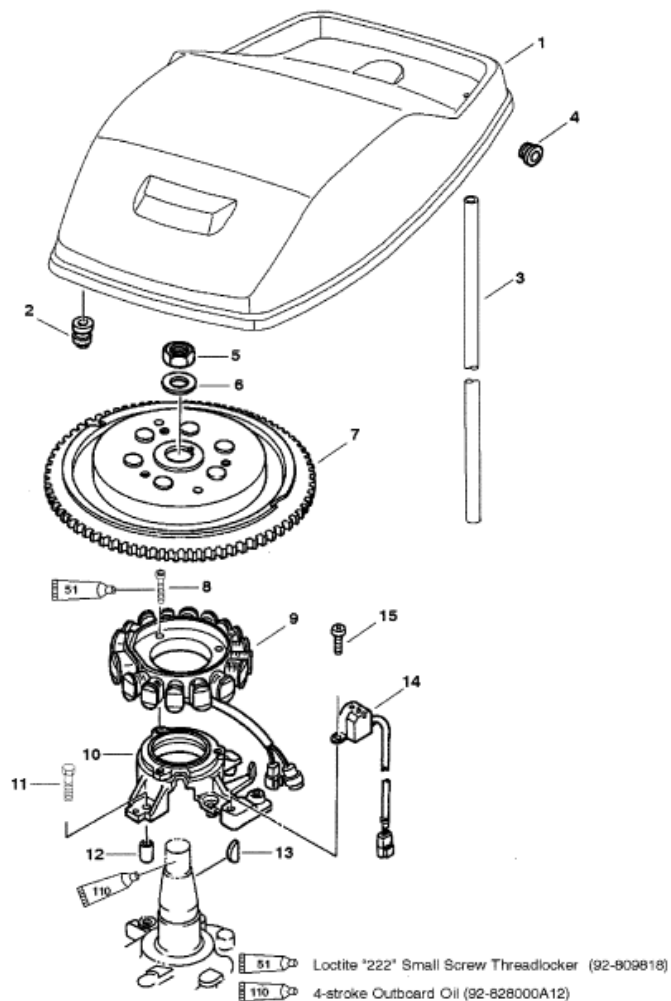


Parts List



Ref	Class	Part	Description	Qty	Comment	Footnote
1		825093	COVER	1		
2	25	821555	GROMMET	2		
3	32	99128 78	TUBING (19 IN.)	1		
4	25	45507	DAMPER	2		
4	25	42117	GROMMET	2	(BIGFOOT)	
5	11	81773M	NUT	1		
6	12	84436M	WASHER	1		
7	280	825090A 1	FLYWHEEL	1	(50)	
7	280	825090A 2	FLYWHEEL	1	(40/45 /50 BIGFOOT)	
8	10	824948 25	SCREW	3		
9	398	825089	STATOR	1	(NON BIGFOOT)	
9	398	825089 1	STATOR	1	(BIGFOOT)	
10		825110	BASE-STATOR	1		
11	10	824832 6	SCREW	4		
12	17	825010	PIN	2		
13	28	826100	KEY	1		1
14		826061	COIL-PULSER	1		
15	10	821045 10	SCREW	2		
.	61	822775A97	POWERHEAD	1		
.	61	822775A98	POWERHEAD	1	(BIGFOOT)	